

*Interchangeable with  
Model TH-CMF*

**\$295**  
Model Shown

# SUBMINIATURE STAINLESS COMPRESSION LOAD CELL

0-25 to 0-1,000 lb Capacities

**LC302 Series  
Compression**

**0-25 to 0-1,000 lb**  
**0-100 to 0-4,500 N**

1 Newton = 0.2248 lb  
1 daNewton = 10 Newtons  
1 lb = 454 g  
1 t = 1000 kg = 2204 lb

- ☑ **Small 0.75" (19mm) Dia. x 0.5" (13mm) H for Robotic and Test Bench Applications**
- ☑ **Built in Load Button for Easy Installation**
- ☑ **5-POINT NIST Calibration Provided**

The LC302 Series are only 0.75 inches (19mm) in diameter and fit in the smallest places. Their high 0.5% accuracy and small package solve many industrial force measurement applications. All stainless steel construction and high quality strain gages assure long term reliability in industrial environments.

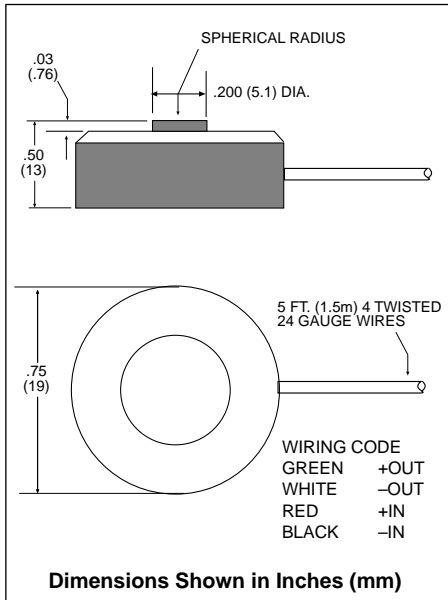
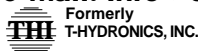
**For Sales and Service  
In U.S.A. and Canada**

**1-800-872-3963<sup>SM</sup>**  
**1-800-USA-DYNE**

**International Customers Dial  
(614) 965-9340**  
**24-Hour FAX (614) 965-9438**

**OMEGADYNE<sup>SM</sup> FAX**  
OMEGADYNE's 24-Hour  
On-Line Publishing Service  
**1-800-344-3963<sup>SM</sup>**  
**1-800-DIG-DYNE**  
Document # 3635

**OMEGADYNE, Inc.**  
149 Stelzer Court, Sunbury, OH 43074  
<http://www.omegadyne.com>  
e-mail: [info@omegadyne.com](mailto:info@omegadyne.com)



**SPECIFICATIONS:**

**Rated Output:** 1 mV/V  
**Excitation:** 10 Vdc, 15 Vdc max  
**Accuracy:** ±0.5% FSO Linearity, Hysteresis, Repeatability Combined  
Calibrated at 0%, 50%, 100%, 50%, 0%  
**Zero Balance:** ±2% FSO  
**Operating Temp Range:** -54 to 107°C (-65 to 225°F)  
**Compensated Temp. Range:** +16 to 71°C (+60 to 160°F)  
**Thermal Effects:**  
Zero: 0.005% FSO/°F  
Span: 0.02% Rdg/°F

**Safe Overload:** 150% of Capacity  
**Ultimate Overload:** 300% of Capacity  
**Input Resistance:** 360 ohms minimum  
**Output resistance:** 350 ±5 ohms  
**Construction:** Stainless Steel  
**Electrical:** 5 ft (1.5m) 4 twisted 24-gauge wires

➔ **Most Popular Models Highlighted** ◀

*Prices Shown in U.S. Dollars*

<b>To Order: (Specify Model Number)</b>			
Capacity (lb)	Model Number	Price	Compatible Meters
0-25	LC302-25	\$295	INFW, INFS, INFCS
0-50	LC302-50	295	INFW, INFS, INFCS
0-100	LC302-100	295	INFW, INFS, INFCS
0-250	LC302-250	295	INFW, INFS, INFCS
0-500	LC302-500	295	INFW, INFS, INFCS
0-1,000	LC302-1K	295	INFW, INFS, INFCS

*Interchangeable with Model TH-CMF Metric Ranges Available - Consult Engineering*  
**Ordering Examples:** 1.) LC302-100 is a 100 lb capacity load cell, \$295.  
2.) LC302-1K is a 1,000 lb capacity load cell, \$295.